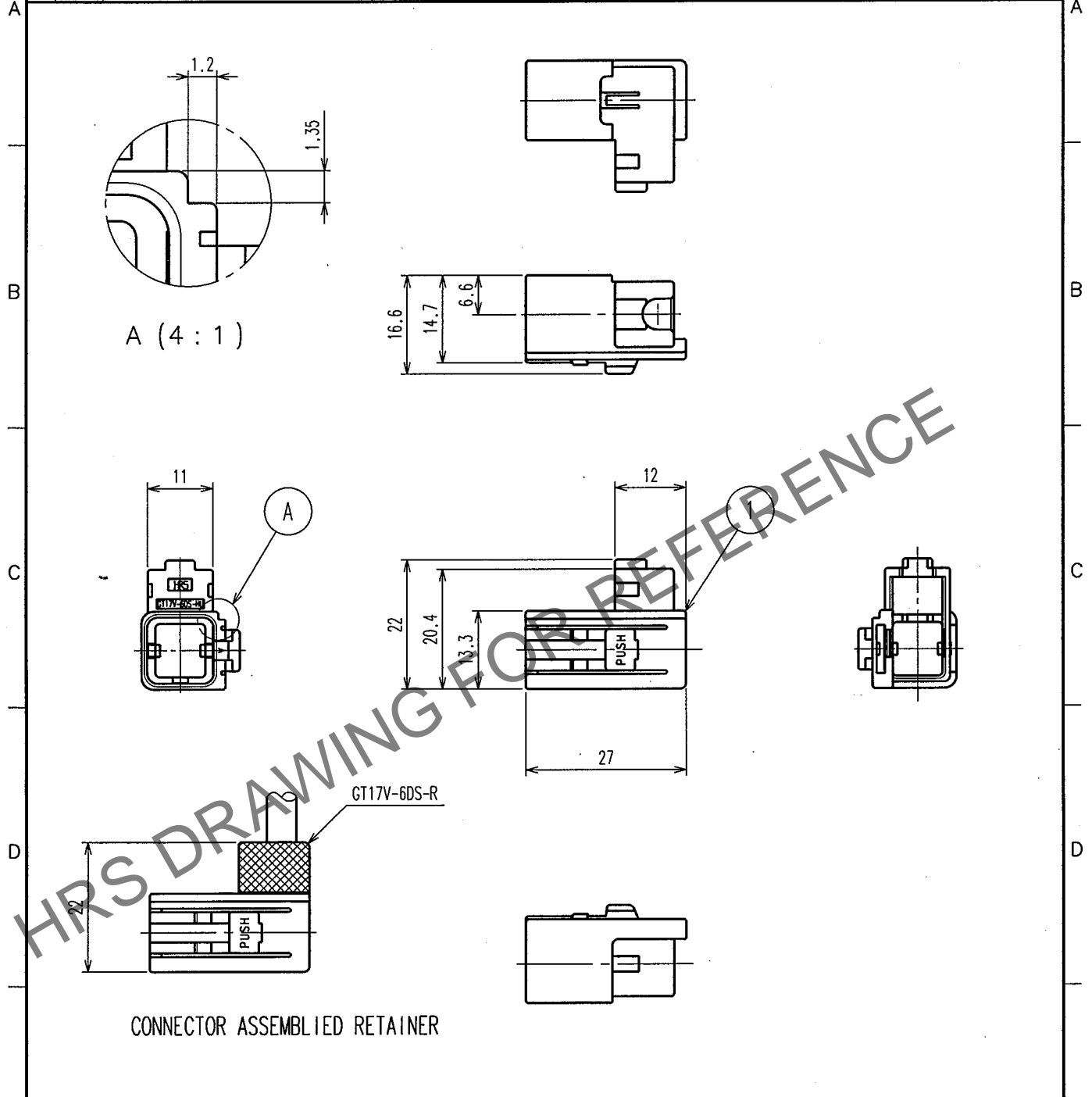


Apr.1.2024 Copyright 2024 HIROSE ELECTRIC CO., LTD. All Rights Reserved.
 In case of consideration for using Automotive equipment / device which demand high reliability, kindly contact our sales window correspondents.

| 1 | | 2 | | | 3 | | | 4 | | |
|-------|--------------------------|----|------|------|-------|--------------------------|----|------|------|--|
| COUNT | DESCRIPTION OF REVISIONS | BY | CHKD | DATE | COUNT | DESCRIPTION OF REVISIONS | BY | CHKD | DATE | |
| △ | | | | | △ | | | | .. | |
| △ | | | | | △ | | | | .. | |
| △ | | | | | △ | | | | .. | |



CONNECTOR ASSEMBLED RETAINER

NOTE1. THIS CONNECTOR SHALL BE USED THAT RETAINER (CL767-0031-0) WAS ASSEMBLED.
 2. APPLICABLE CABLE DIA : $\phi 4.8$ TO $\phi 5.2$

| 1 | PBT | LIGHT GRAY | | | | | |
|----------------------------|----------|-----------------|----------------------------------|---------------|-----------------|----------|----------|
| NO. | MATERIAL | FINISH, REMARKS | NO. | MATERIAL | FINISH, REMARKS | | |
| CODE NO. (OLD) | | | DRAWN | DESIGNED | CHECKED | APPROVED | RELEASED |
| | | | T. SHISHIKURA | T. SHISHIKURA | N. NAKATA | K. SATO | |
| | | | '99.8.20 | '99.8.20 | '99.9.9 | '99.9.9 | |
| DRAWING NO. EDC4-165527 | | | PART NO. GT17V-6DS-HU | | | | |
| SACLE 1 : 1 | | | CODE NO. CL767-0029-8 | | | | 1/1 |
| UNITS mm | | | HRS HIROSE ELECTRIC CO., LTD. | | | | |

| |
|----|
| TO |
| |
| |
| |

